

# Stariji pioniri 23.04.2022 Nikšić STARIJE PIONIRKE +63 KG

Competitors

Competitors: 4

#	Name	Grade	Club	1	2	3	4	Wins	Pts	Pos
1	VLADANA POPOVIĆ	?	ARSO MILIĆ		10	10	10	3	30	1
2	VJERA BULAJIĆ	?	AKADEMIK			10	10	2	20	2
3	ITANA ČUPIĆ	?	KIPA					0	0	4
4	AMINA HOT	?	IBAR			10		1	10	3

## Matches

Match	White	Blue	Result	Time
1	VLADANA POPOVIĆ 1 2	VJERA BULAJIĆ	10-0	0:00
2	ITANA ČUPIĆ 3 4	AMINA HOT	0-10	0:00
3	VLADANA POPOVIĆ 1 3	ITANA ČUPIĆ	10-0	0:00
4	VJERA BULAJIĆ 2 4	AMINA HOT	10-0	0:00
5	VLADANA POPOVIĆ 1 4	AMINA HOT	10-0	0:00
6	VJERA BULAJIĆ 2 3	ITANA ČUPIĆ	10-0	0:00

## Results

Pos	Name
1	VLADANA POPOVIĆ, ARSO MILIĆ
2	VJERA BULAJIĆ, AKADEMIK
3	AMINA HOT, IBAR
4	ITANA ČUPIĆ, KIPA

# Stariji pioniri 23.04.2022 Nikšić STARIJE PIONIRKE 40 KG

Competitors

Competitors: 2

#	Name	Grade	Club	1	2	1	2	1	2	Wins	Pts	Pos
1	HELENA MILIĆEVIĆ	?	JEDINSTVO				10		10	2	20	1
2	IRIS DIZDAREVIĆ	?	JEDINSTVO	0						1	0	2

## Matches

Match	White			Blue	Result	Time
1	HELENA MILIĆEVIĆ	1	2	IRIS DIZDAREVIĆ	0-0	0:00
2	HELENA MILIĆEVIĆ	1	2	IRIS DIZDAREVIĆ	10-0	0:00
3	HELENA MILIĆEVIĆ	1	2	IRIS DIZDAREVIĆ	10-0	0:00

## Results

Pos	Name
1	HELENA MILIĆEVIĆ, JEDINSTVO
2	IRIS DIZDAREVIĆ, JEDINSTVO

# Stariji pioniri 23.04.2022 Nikšić STARIJE PIONIRKE 44 KG

Competitors

Competitors: 2

#	Name	Grade	Club	1	2	1	2	1	2	Wins	Pts	Pos
1	MARIJA SIMIĆ	?	AKADEMIK		10		10			2	20	1
2	ENA ŠĆEPANOVIĆ	?	KIPA							0	0	2

## Matches

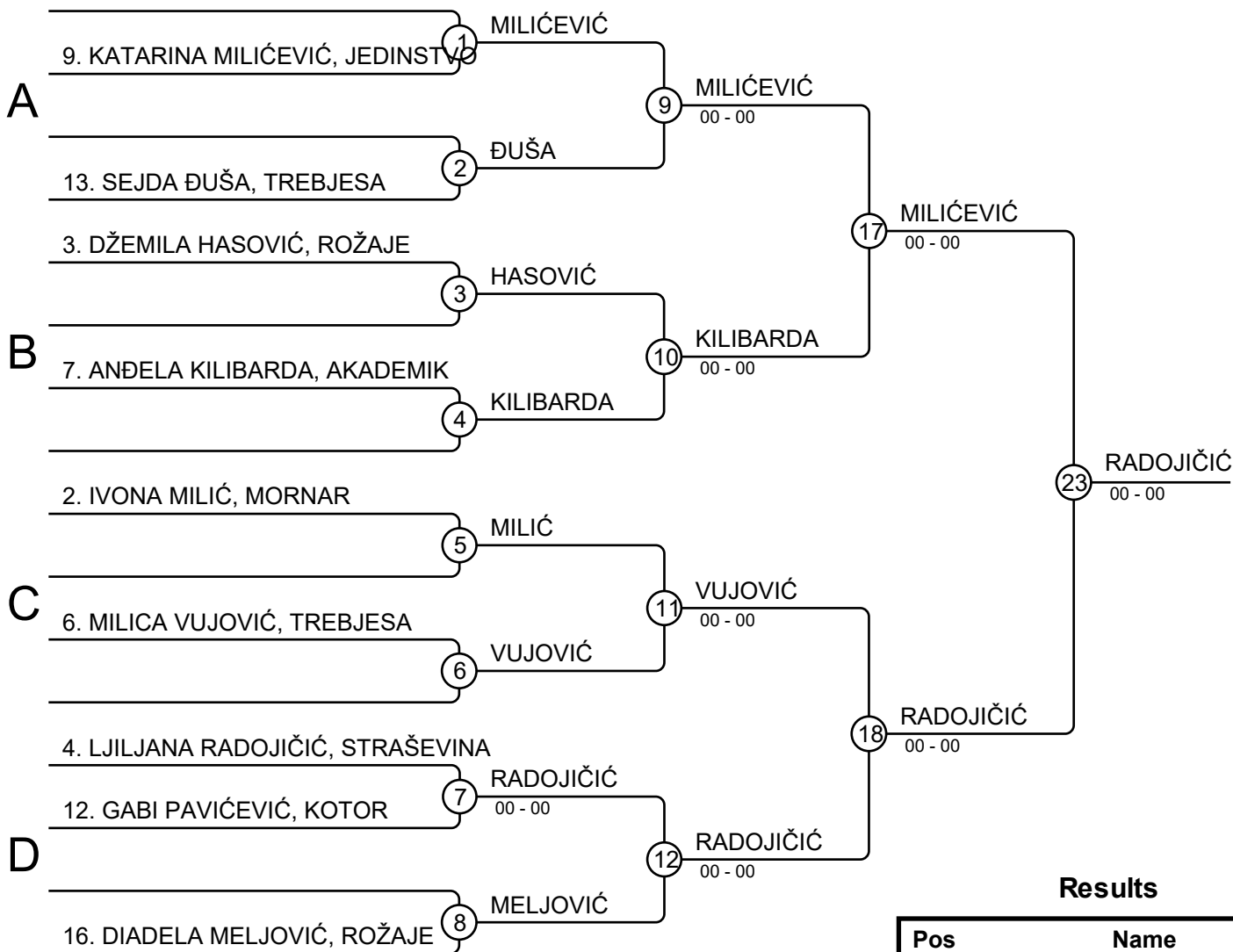
Match	White			Blue	Result	Time
1	MARIJA SIMIĆ	1	2	ENA ŠĆEPANOVIĆ	10-0	0:00
2	MARIJA SIMIĆ	1	2	ENA ŠĆEPANOVIĆ	10-0	0:00
3	MARIJA SIMIĆ	1	2	ENA ŠĆEPANOVIĆ		

## Results

Pos	Name
1	MARIJA SIMIĆ, AKADEMIK
2	ENA ŠĆEPANOVIĆ, KIPA

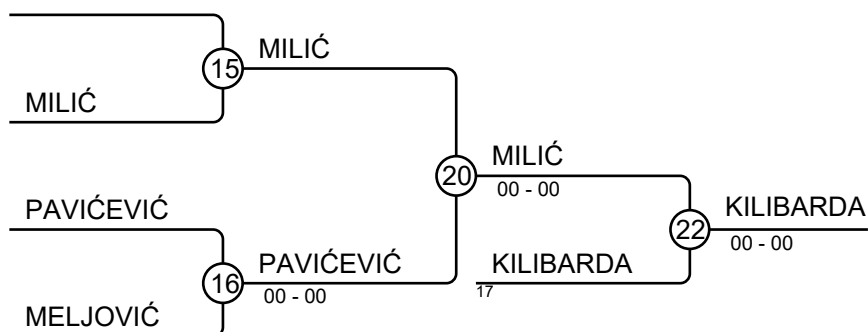
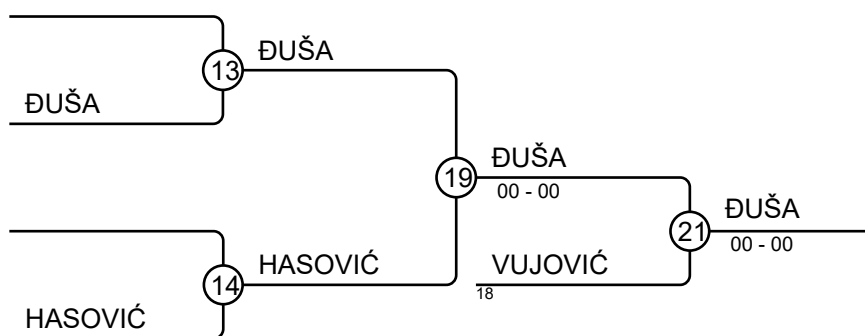
# Stariji pioniri 23.04.2022 Nikšić STARIJE PIONIRKE 48 KG

Competitors: 9



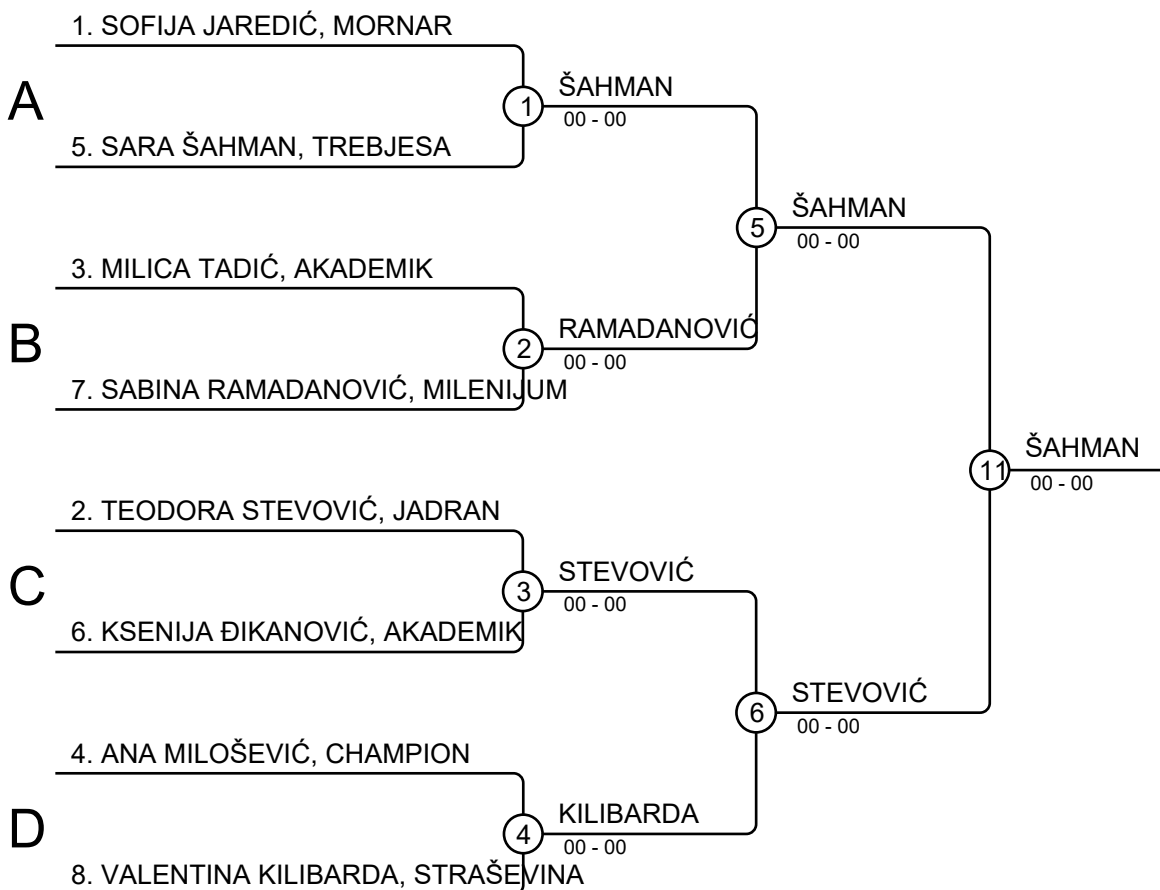
## Results

Pos	Name
1	LJILJANA RADOJIČIĆ, STRAŠEVINA
2	KATARINA MILIĆEVIĆ, JEDINSTVO
3	SEJDA ĐUŠA, TREBJESA
3	ANĐELA KILIBARDA, AKADEMIK
5	MILICA VUJOVIĆ, TREBJESA
5	IVONA MILIĆ, MORNAR
7	DŽEMILA HASOVIĆ, ROŽAJE
7	GABI PAVIĆEVIĆ, KOTOR



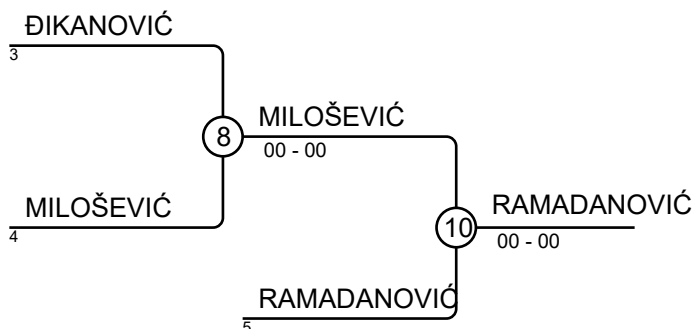
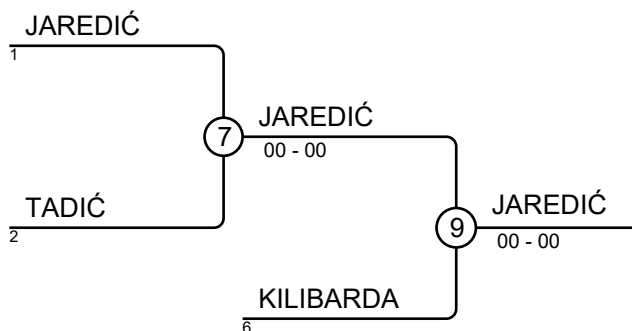
# Stariji pioniri 23.04.2022 Nikšić STARIJE PIONIRKE 52 KG

Competitors: 8



## Results

Pos	Name
1	SARA ŠAHMAN, TREBJESA
2	TEODORA STEVOVIĆ, JADRAN
3	SOFIJA JAREDIĆ, MORNAR
3	SABINA RAMADANOVIĆ, MILENIJUM
5	VALENTINA KILIBARDA, STRAŠEVINA
5	ANA MILOŠEVIĆ, CHAMPION
7	MILICA TADIĆ, AKADEMIK
7	KSENIJA ĐIKANOVIĆ, AKADEMIK



# Stariji pioniri 23.04.2022 Nikšić STARIJE PIONIRKE 57 KG

Competitors

Competitors: 4

#	Name	Grade	Club	1	2	3	4	Wins	Pts	Pos
1	MEDINA KERELAJ	?	TREBJESA		10	10	10	3	30	1
2	MAŠA BOJOVIĆ	?	PLJEVLJA			10		1	10	3
3	MERIMA KAČAR	?	ROŽAJE					0	0	4
4	JELENA ERAKOVIĆ	?	STRAŠEVINA		10	0		2	10	2

## Matches

Match	White	Grade	Blue	Result	Time
1	MEDINA KERELAJ	1 2	MAŠA BOJOVIĆ	10-0	0:00
2	MERIMA KAČAR	3 4	JELENA ERAKOVIĆ	0-0	0:00
3	MEDINA KERELAJ	1 3	MERIMA KAČAR	10-0	0:00
4	MAŠA BOJOVIĆ	2 4	JELENA ERAKOVIĆ	0-10	0:00
5	MEDINA KERELAJ	1 4	JELENA ERAKOVIĆ	10-0	0:00
6	MAŠA BOJOVIĆ	2 3	MERIMA KAČAR	10-0	0:00

## Results

Pos	Name
1	MEDINA KERELAJ, TREBJESA
2	JELENA ERAKOVIĆ, STRAŠEVINA
3	MAŠA BOJOVIĆ, PLJEVLJA
4	MERIMA KAČAR, ROŽAJE

# Stariji pioniri 23.04.2022 Nikšić STARIJE PIONIRKE 63 KG

Competitors

Competitors: 3

#	Name	Grade	Club	1	2	3	Wins	Pts	Pos
1	OLJA MIJOVIĆ	?	MILENIJUM			10	1	10	2
2	TEODORA VLAHOVIĆ	?	MILENIJUM	10		10	2	20	1
3	KATARINA ZORIĆ	?	AKADEMIK				0	0	3

## Matches

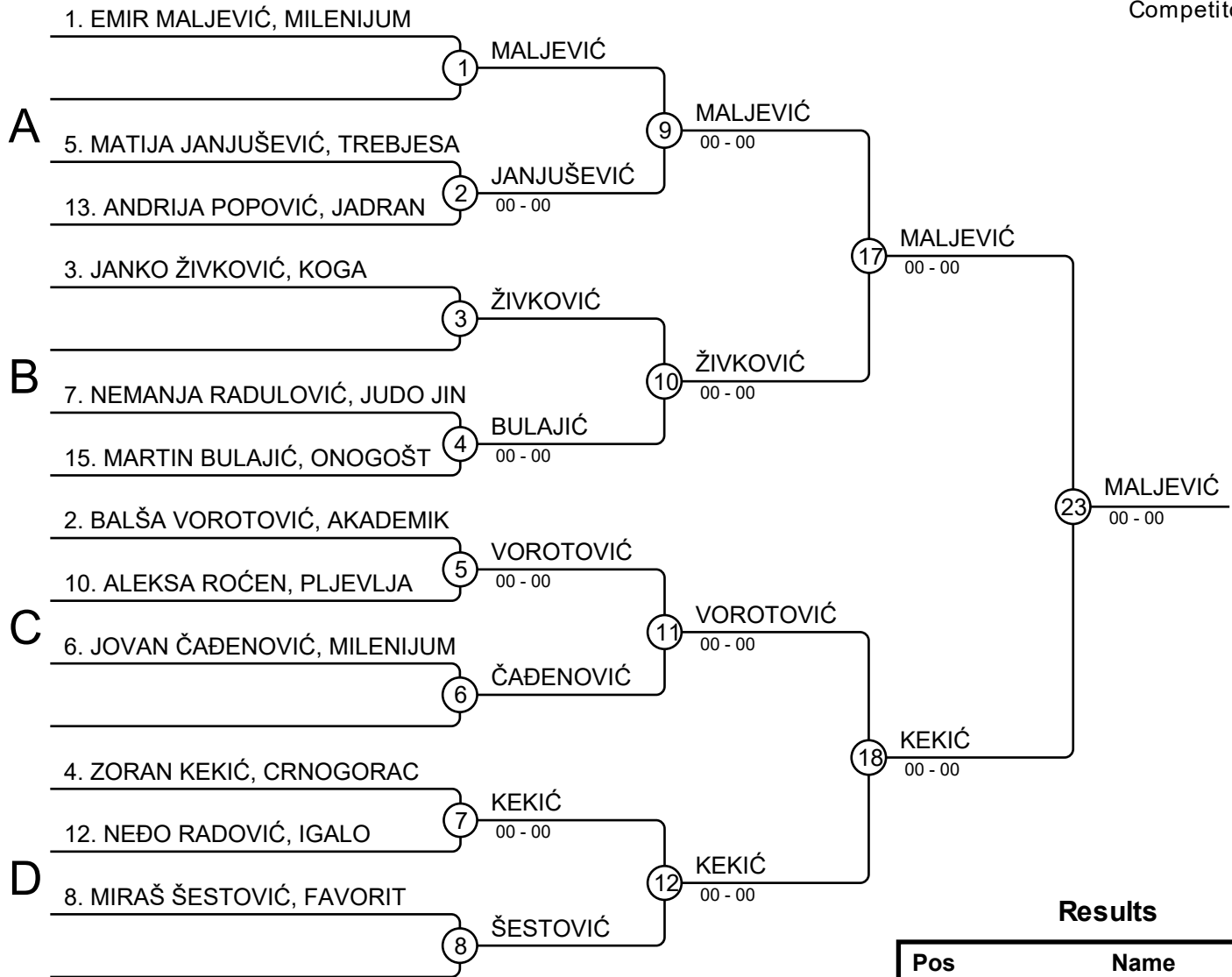
Match	White			Blue	Result	Time
1	OLJA MIJOVIĆ	1	2	TEODORA VLAHOVIĆ	0-10	0:00
2	OLJA MIJOVIĆ	1	3	KATARINA ZORIĆ	10-0	0:00
3	TEODORA VLAHOVIĆ	2	3	KATARINA ZORIĆ	10-0	0:00

## Results

Pos	Name
1	TEODORA VLAHOVIĆ, MILENIJUM
2	OLJA MIJOVIĆ, MILENIJUM
3	KATARINA ZORIĆ, AKADEMIK

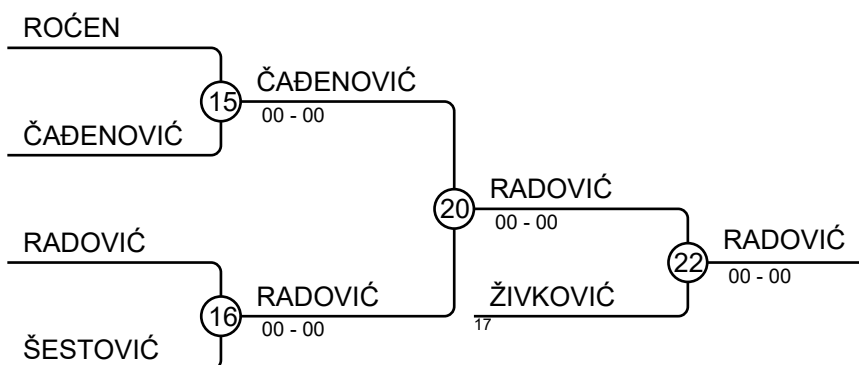
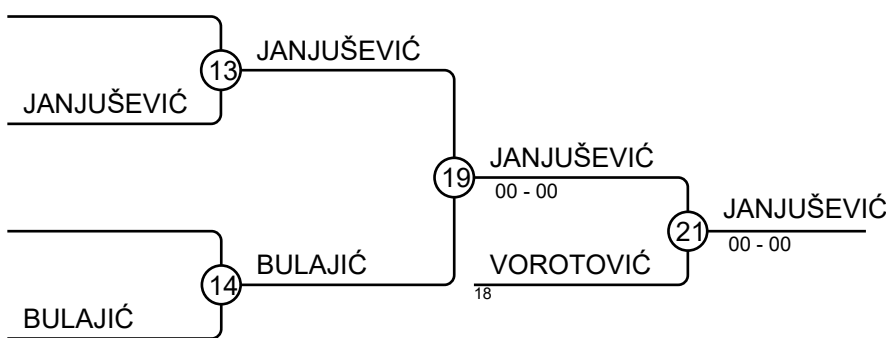
# Stariji pioniri 23.04.2022 Nikšić STARIJI PIONIRI +73 KG

Competitors: 12



## Results

Pos	Name
1	EMIR MALJEVIĆ, MILENIJUM
2	ZORAN KEKIĆ, CRNOGORAC
3	MATIJA JANJUŠEVIĆ, TREBJESA
3	NEĐO RADOVIĆ, IGALO
5	BALŠA VOROTOVIĆ, AKADEMIK
5	JANKO ŽIVKOVIĆ, KOGA
7	MARTIN BULAJIĆ, ONOGOŠT
7	JOVAN ČAĐENOVIĆ, MILENIJUM





# Stariji pioniri 23.04.2022 Nikšić STARIJI PIONIRI 34 KG

Competitors

Competitors: 2

#	Name	Grade	Club	1	2	1	2	1	2	Wins	Pts	Pos
1	KADIR KERELAJ	?	TREBJESA		10		10			2	20	1
2	ADEM MELJOVIĆ	?	ROŽAJE							0	0	2

## Matches

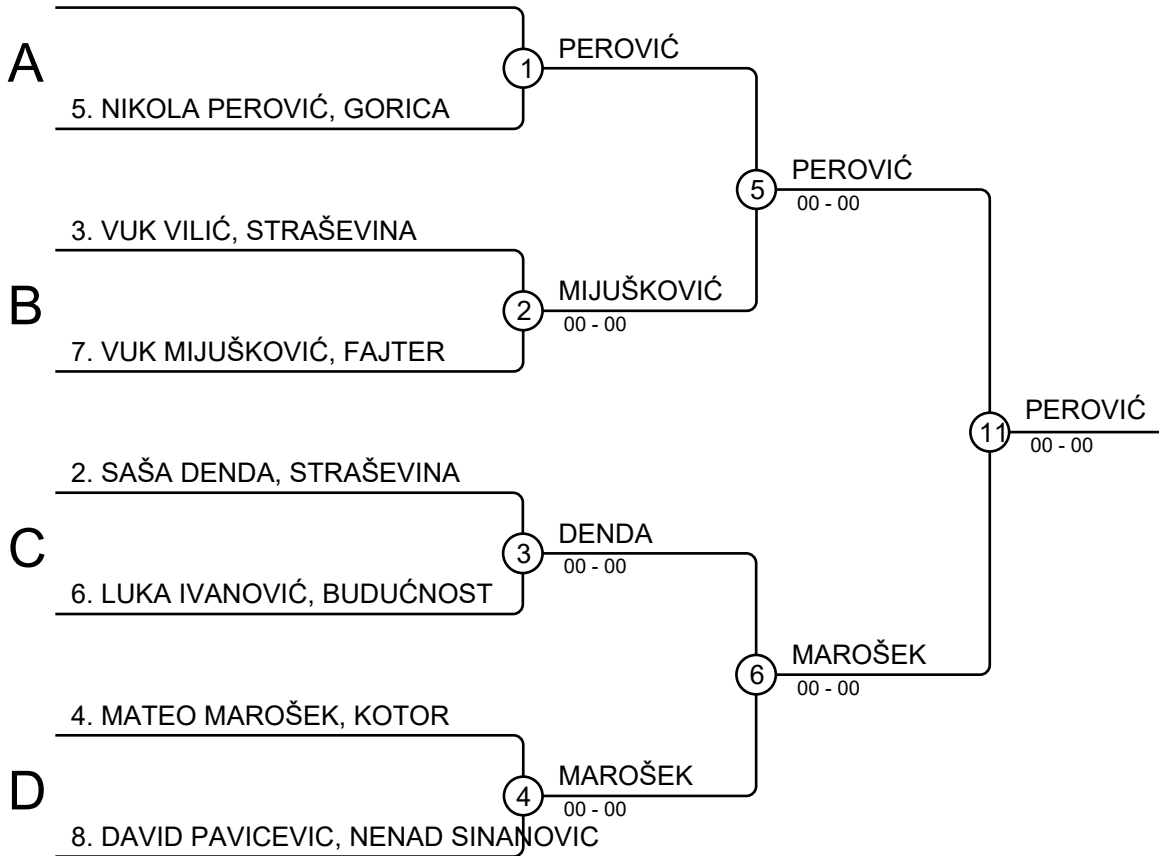
Match	White			Blue	Result	Time
1	KADIR KERELAJ	1	2	ADEM MELJOVIĆ	10-0	0:00
2	KADIR KERELAJ	1	2	ADEM MELJOVIĆ	10-0	0:00
3	KADIR KERELAJ	1	2	ADEM MELJOVIĆ		

## Results

Pos	Name
1	KADIR KERELAJ, TREBJESA
2	ADEM MELJOVIĆ, ROŽAJE

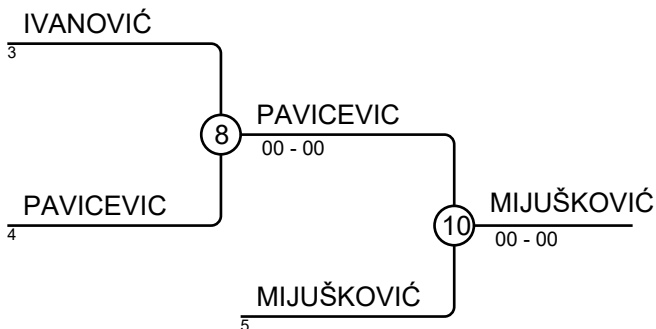
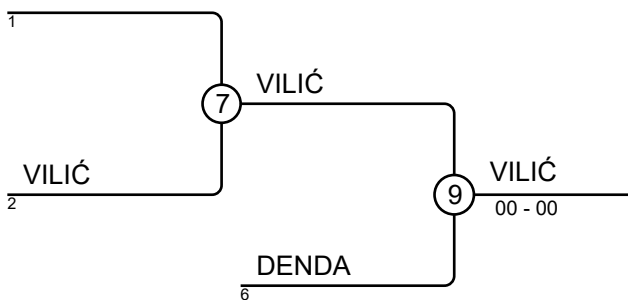
# Stariji pioniri 23.04.2022 Nikšić STARIJI PIONIRI 38 KG

Competitors: 7



## Results

Pos	Name
1	NIKOLA PEROVIĆ, GORICA
2	MATEO MAROŠEK, KOTOR
3	VUK VILIĆ, STRAŠEVINA
3	VUK MIJUŠKOVIĆ, FAJTER
5	SAŠA DENDA, STRAŠEVINA
5	DAVID PAVICEVIC, NENAD SINANOVIĆ
7	
7	LUKA IVANOVIĆ, BUDUĆNOST



# Stariji pioniri 23.04.2022 Nikšić STARIJI PIONIRI 42 KG

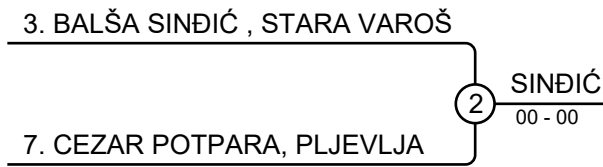
1. NEMANJA VUKČEVIĆ, MILOŠ STANKOVIĆ

Competitors: 6

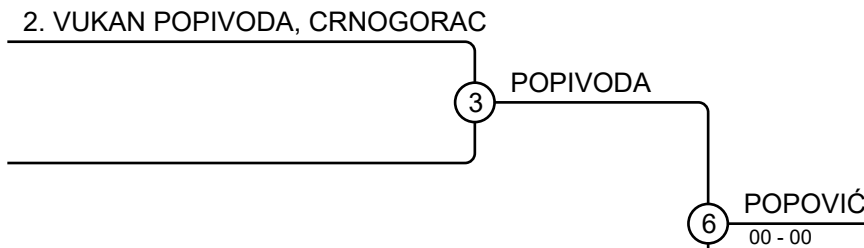
A



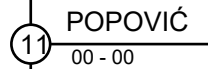
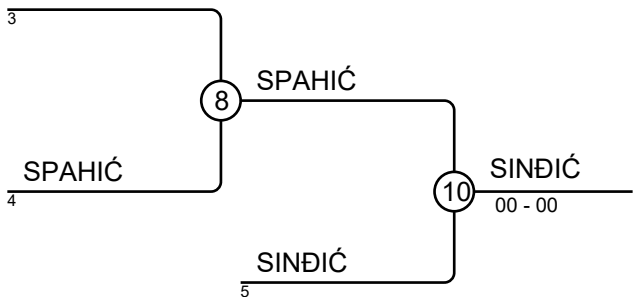
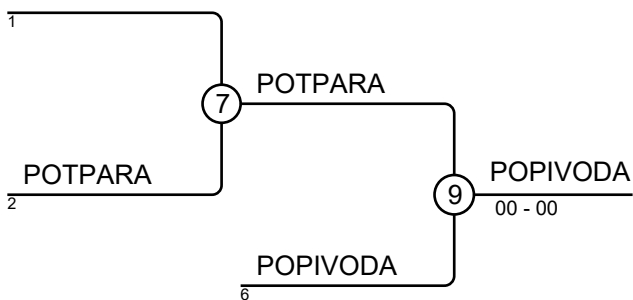
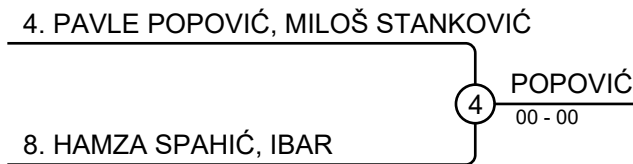
B



C



D



## Results

Pos	Name
1	PAVLE POPOVIĆ, MILOŠ STANKOVIĆ
2	NEMANJA VUKČEVIĆ, MILOŠ STANKOVIĆ
3	VUKAN POPIVODA, CRNOGORAC
3	BALŠA SINĐIĆ, STARA VAROŠ
5	CEZAR POTPARA, PLJEVLJA
5	HAMZA SPAHIĆ, IBAR
7	
7	

# Stariji pioniri 23.04.2022 Nikšić STARIJI PIONIRI 46 KG

Competitors: 9

1. PETAR ERCEGOVIĆ, KOTOR

9. NIKOLA BAJOVIĆ, ONOGOŠT

13. KEVIN VULETIĆ, MILOŠ STANKOVIĆ

3. JOVAN BLEČIĆ, TREBJESA

15. RELJA POPOVIĆ, FAJTER

2. DINO HADŽIĆ, IBAR

14. STRAHINJA VUJOVIĆ, JADRAN

12. LUKA FUŠTIĆ, TREBJESA

16. FILIP KNEŽEVIĆ, CRNOGORAC

BAJOVIĆ

VULETIĆ

BLEČIĆ

HADŽIĆ

FUŠTIĆ

1 ERCEGOVIĆ  
00 - 00

2 VULETIĆ

3 BLEČIĆ

4 POPOVIĆ

5 HADŽIĆ

6 VUJOVIĆ

7 FUŠTIĆ

8 KNEŽEVIĆ

13 VULETIĆ  
00 - 00

19 VULETIĆ  
00 - 00

14 BLEČIĆ

18 VUJOVIĆ

15 HADŽIĆ

20 HADŽIĆ  
00 - 00

16 FUŠTIĆ

17 POPOVIĆ

9 ERCEGOVIĆ  
00 - 00

10 POPOVIĆ  
00 - 00

11 VUJOVIĆ  
00 - 00

12 KNEŽEVIĆ  
00 - 00

17 ERCEGOVIĆ  
00 - 00

18 KNEŽEVIĆ  
00 - 00

23 KNEŽEVIĆ  
00 - 00

21 VULETIĆ  
00 - 00

22 POPOVIĆ  
00 - 00

A

B

C

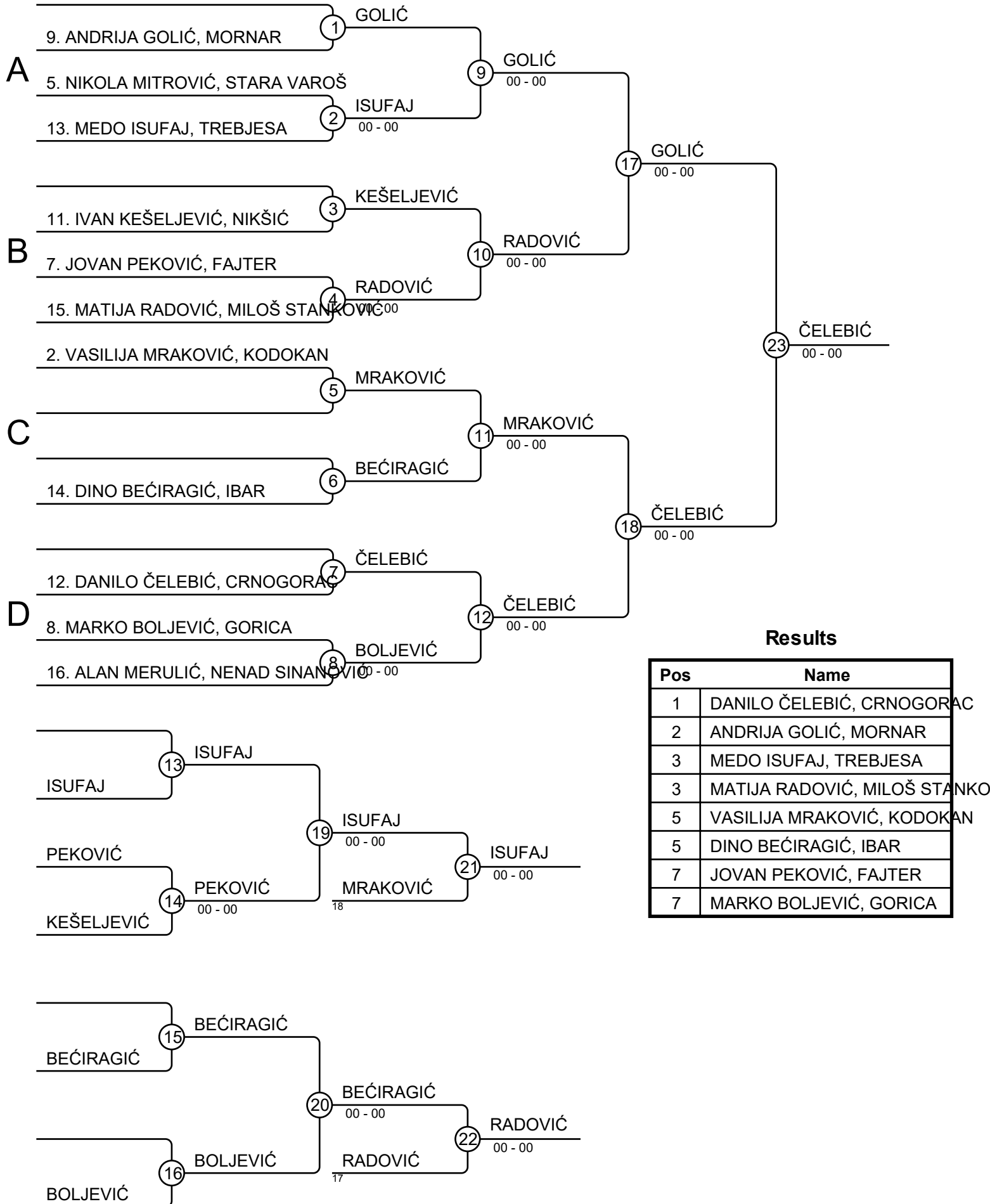
D

## Results

Pos	Name
1	FILIP KNEŽEVIĆ, CRNOGORAC
2	PETAR ERCEGOVIĆ, KOTOR
3	KEVIN VULETIĆ, MILOŠ STANKOVIĆ
3	RELJA POPOVIĆ, FAJTER
5	STRAHINJA VUJOVIĆ, JADRAN
5	DINO HADŽIĆ, IBAR
7	JOVAN BLEČIĆ, TREBJESA
7	LUKA FUŠTIĆ, TREBJESA

# Stariji pioniri 23.04.2022 Nikšić STARIJI PIONIRI 50 KG

Competitors: 11

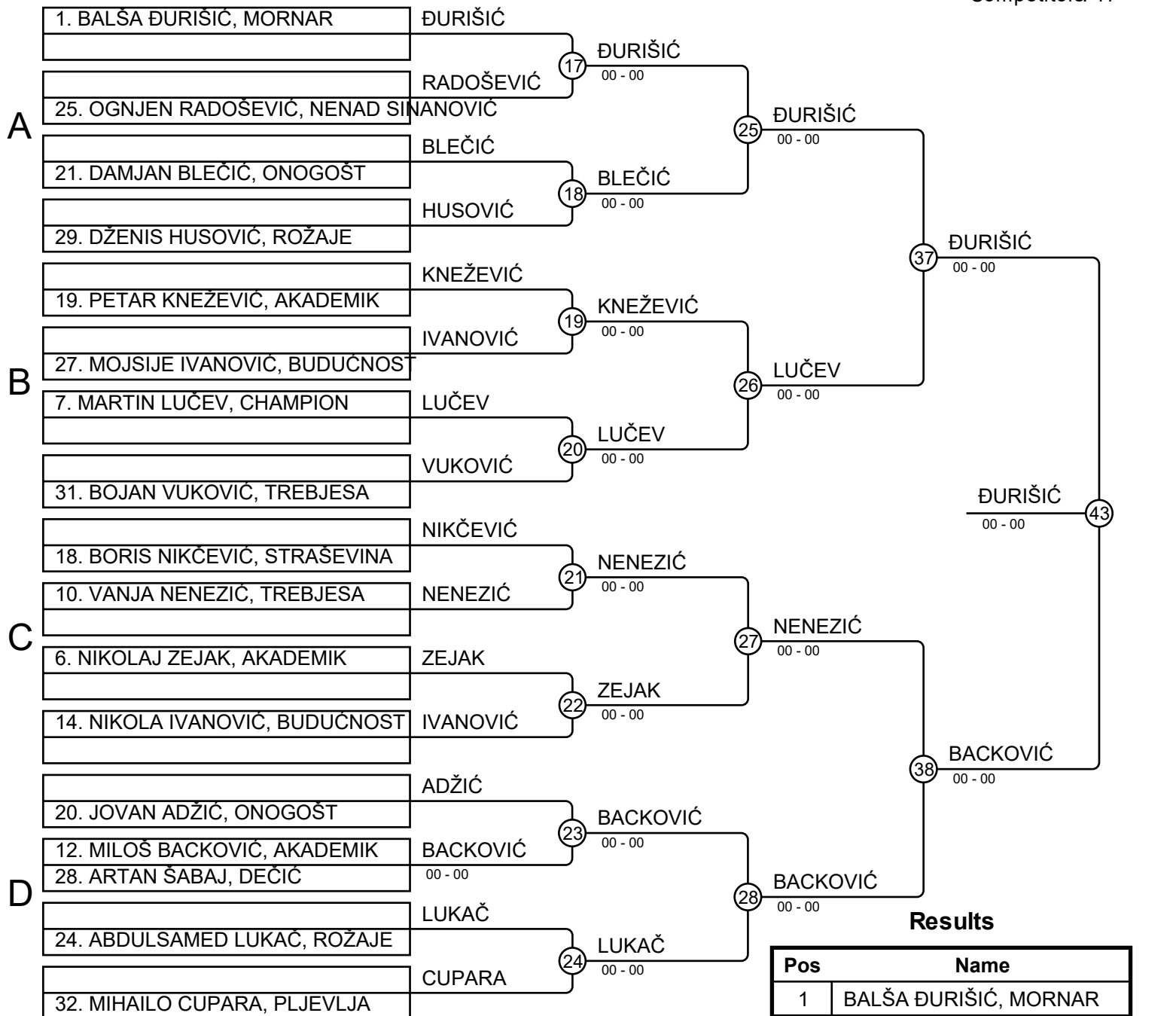


## Results

Pos	Name
1	DANILO ČELEBIĆ, CRNOGORAC
2	ANDRIJA GOLIĆ, MORNAR
3	MEDO ISUFAJ, TREBJESA
3	MATIJA RADOVIĆ, MILOŠ STANKOVIĆ
5	VASILIJA MRAKOVIĆ, KODOKAN
5	DINO BEĆIRAGIĆ, IBAR
7	JOVAN PEKOVIĆ, FAJTER
7	MARKO BOLJEVIĆ, GORICA

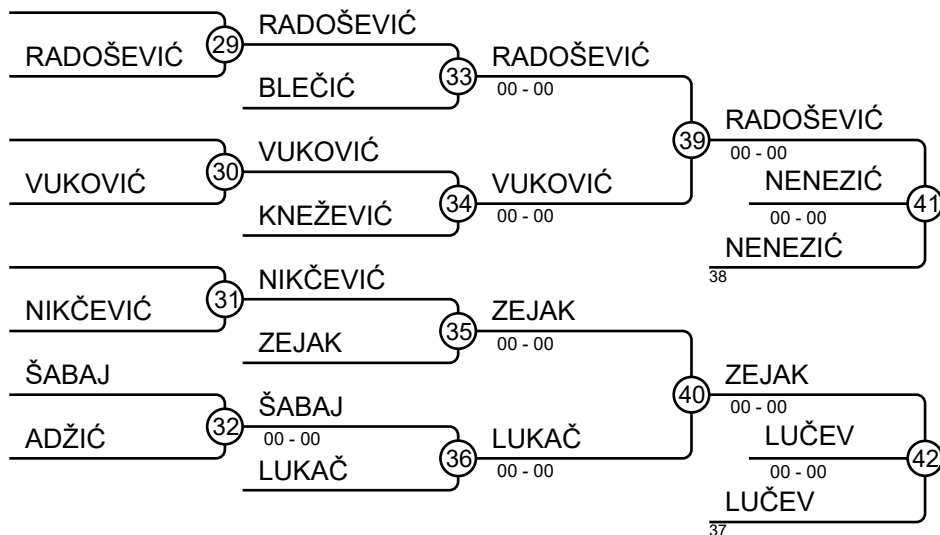
# Stariji pioniri 23.04.2022 Nikšić STARIJI PIONIRI 55 KG

Competitors: 17



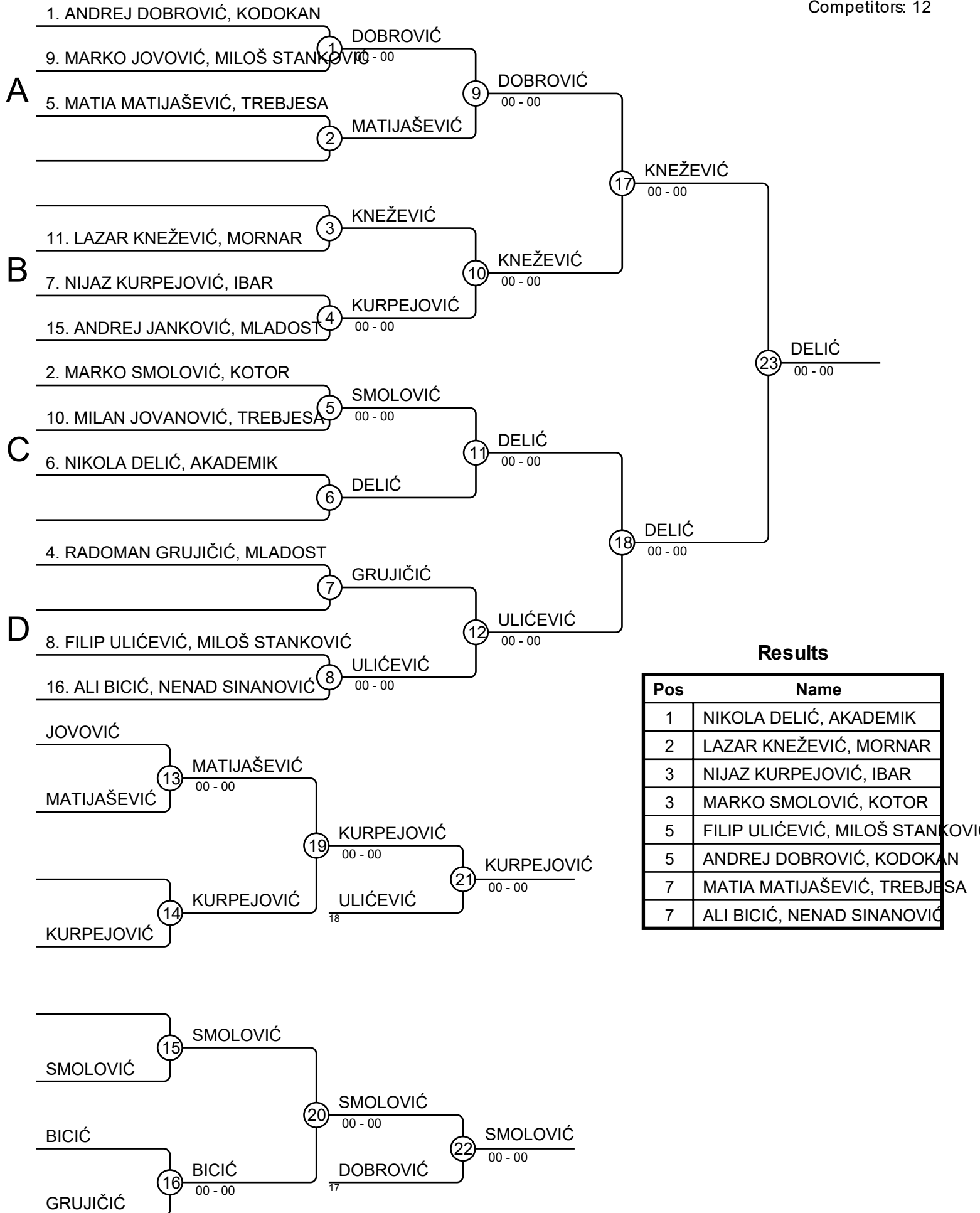
## Results

Pos	Name
1	BALŠA ĐURIŠIĆ, MORNAR
2	MILOŠ BACKOVIĆ, AKADEMIK
3	VANJA NENEZIĆ, TREBJESA
3	MARTIN LUČEV, CHAMPION
5	OGNJEN RADOŠEVIĆ, NENAD SINANOVIĆ
5	NIKOLAJ ZEJAK, AKADEMIK
7	BOJAN VUKOVIĆ, TREBJESA
7	ABDULSAMED LUKAČ, ROŽAJE



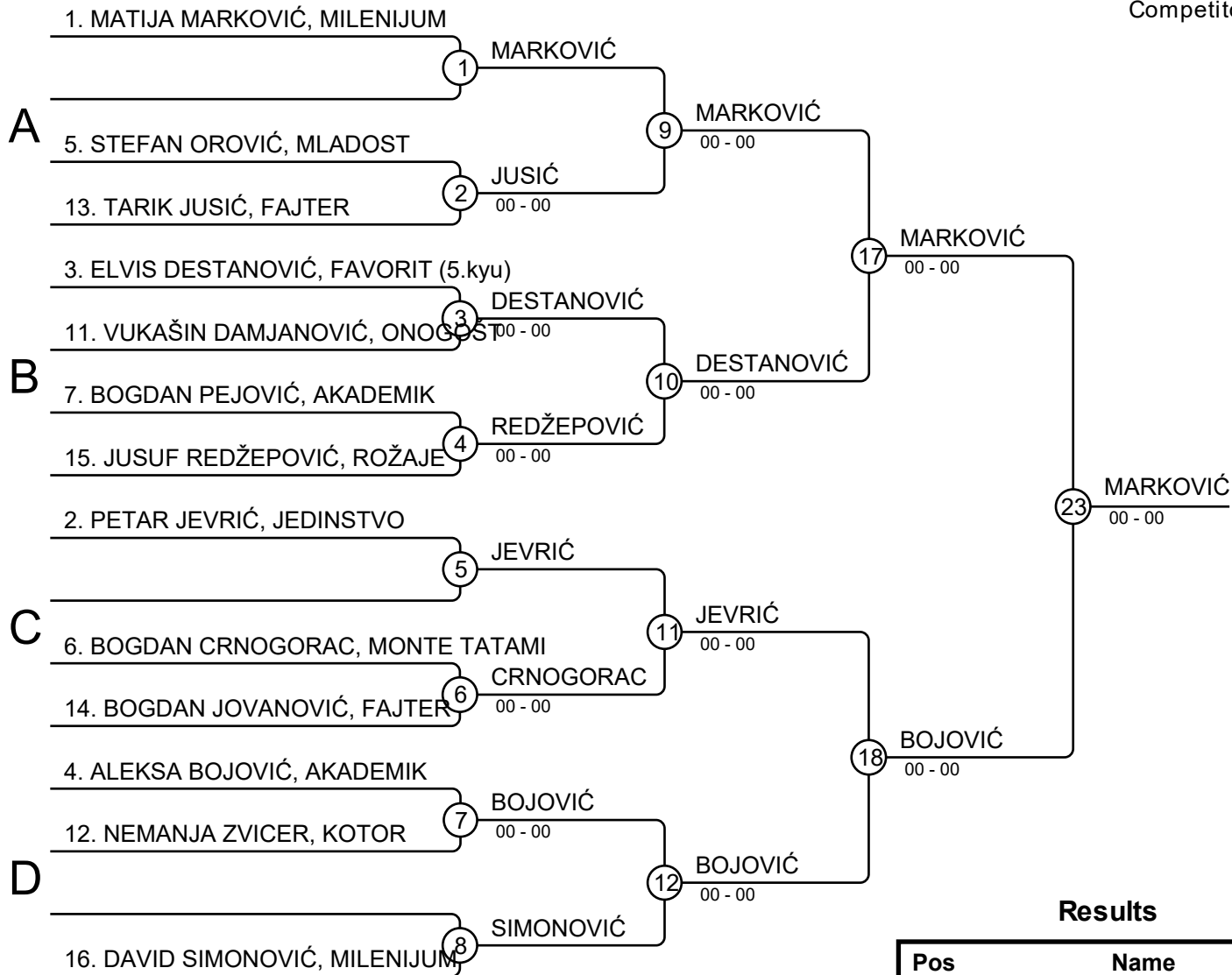
# Stariji pioniri 23.04.2022 Nikšić STARIJI PIONIRI 60 KG

Competitors: 12



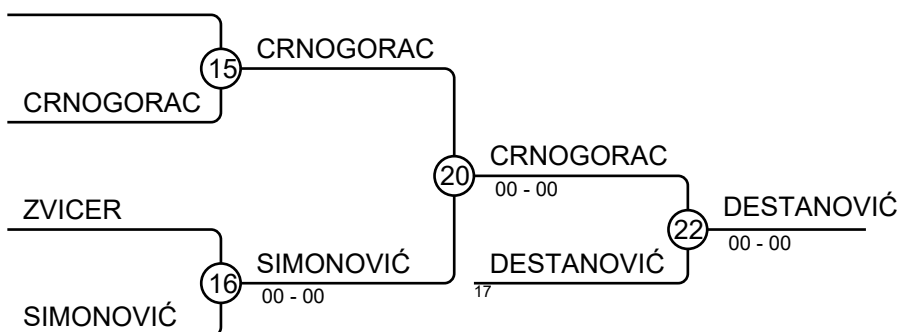
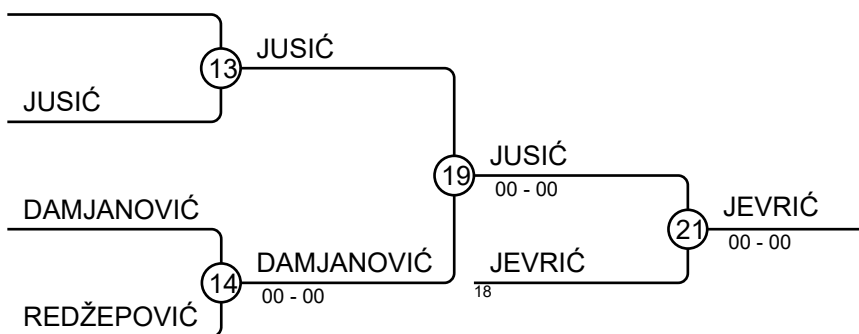
# Stariji pioniri 23.04.2022 Nikšić STARIJI PIONIRI 66 KG

Competitors: 13



## Results

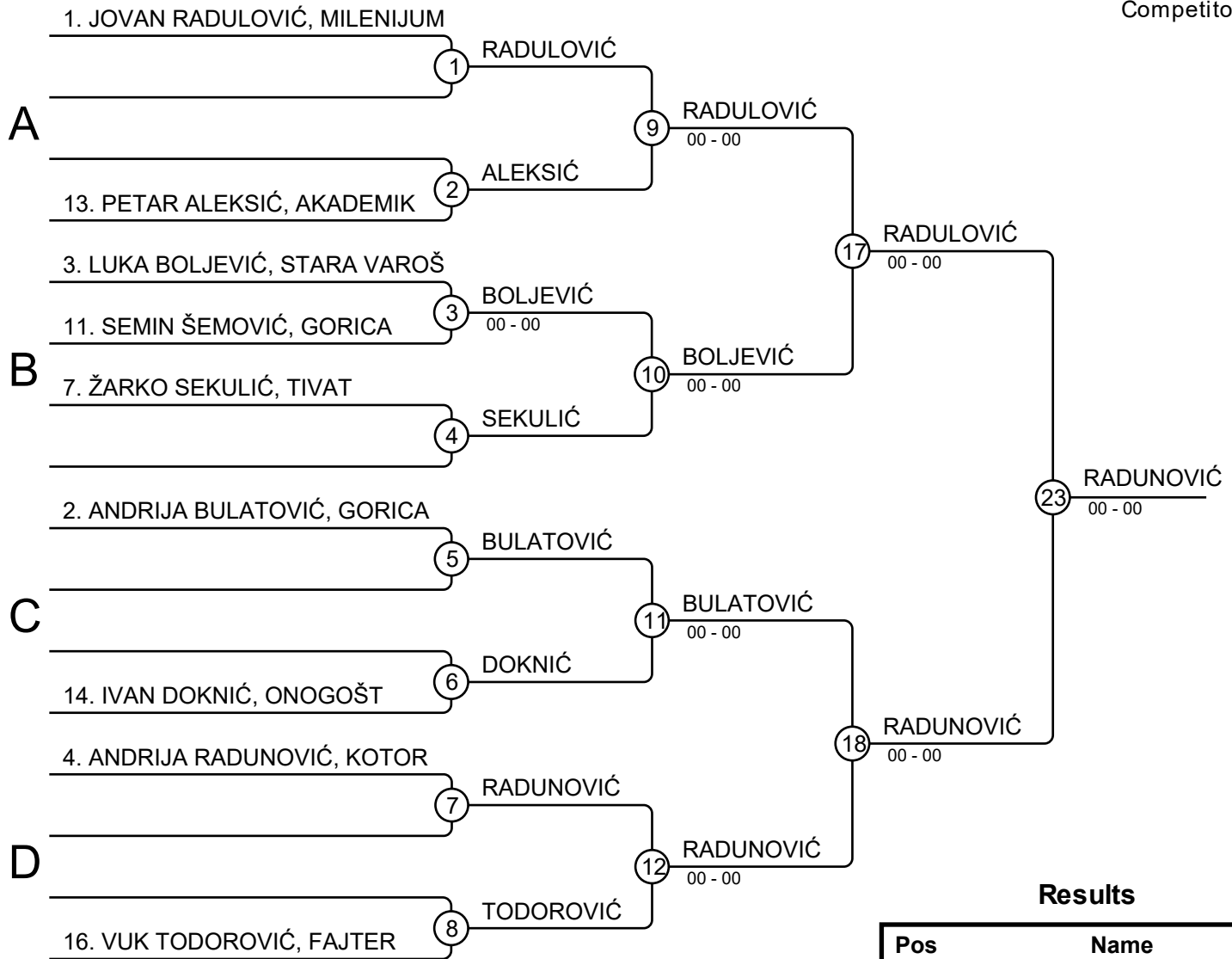
Pos	Name
1	MATIJA MARKOVIĆ, MILENIJUM
2	ALEKSA BOJOVIĆ, AKADEMIK
3	PETAR JEVRIĆ, JEDINSTVO
3	ELVIS DESTANOVIĆ, FAVORIT
5	TARIK JUSIĆ, FAJTER
5	BOGDAN CRNOGORAC, MONTE TA
7	VUKAŠIN DAMJANOVIĆ, ONOGOŠĆ
7	DAVID SIMONOVIĆ, MILENIJUM





# Stariji pioniri 23.04.2022 Nikšić STARIJI PIONIRI 73 KG

Competitors: 9



## Results

Pos	Name
1	ANDRIJA RADUNOVIĆ, KOTOR
2	JOVAN RADULOVIĆ, MILENIJUM
3	PETAR ALEKSIĆ, AKADEMIK
3	IVAN DOKNIĆ, ONOGOŠT
5	ANDRIJA BULATOVIĆ, GORICA
5	LUKA BOLJEVIĆ, STARA VAROŠ
7	SEMIN ŠEMOVIĆ, GORICA
7	VUK TODOROVIĆ, FAJTER

